









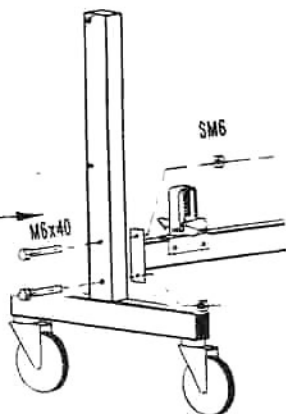
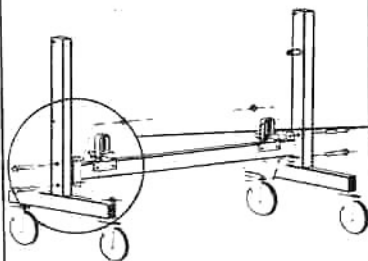
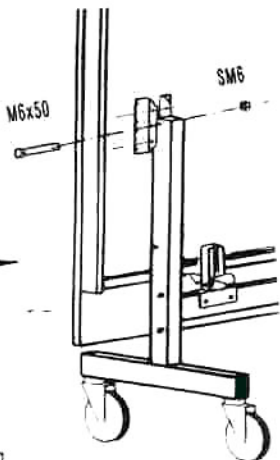
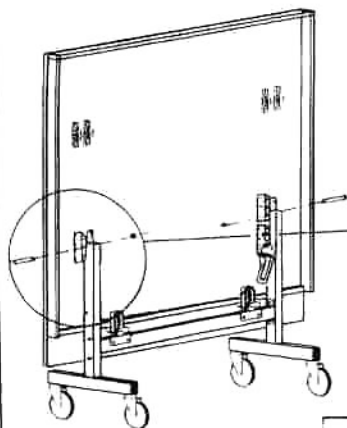
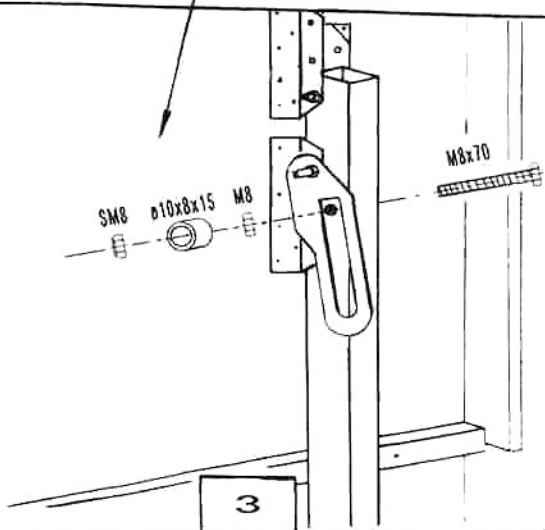
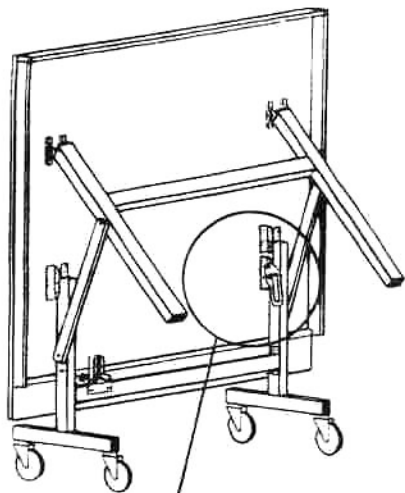
	M8x70	2x
	SM8	2x
	M8	2x
	$\varnothing$ 10/8/15	2x
	M6x40	8x
	M6x50	8x
	M6x60	4x
	M6x80	4x
	SM6	24x
	$\varnothing$ 6,4	4x
	$\varnothing$ 15x6,3x15	4x

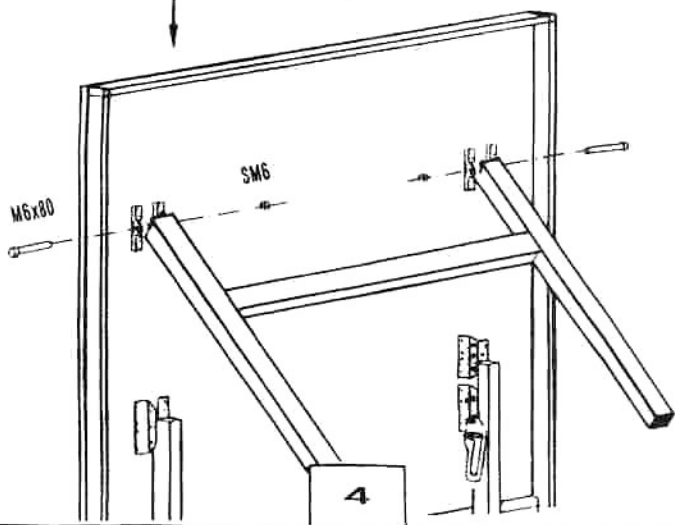
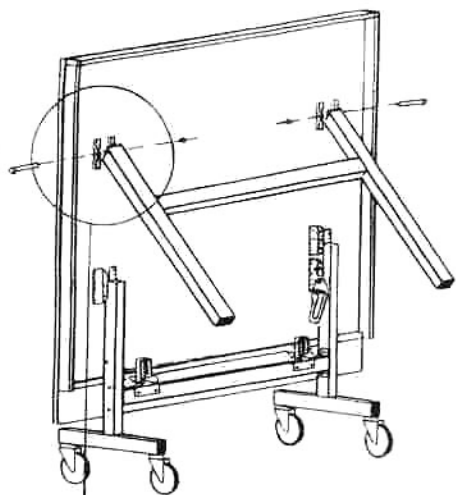


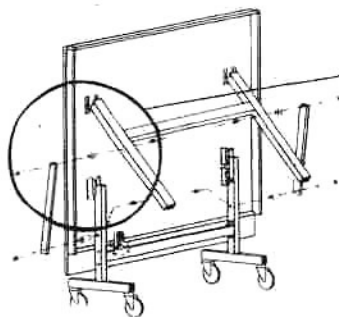
1



2



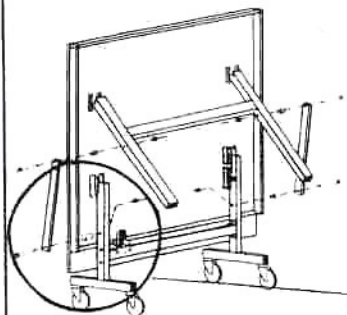
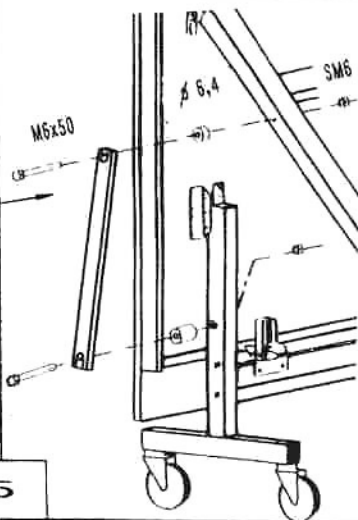




M6x50



5



M6x50



6

